

# AI Accelerator & GPU

# PCIe N4060-VSFX



## Features

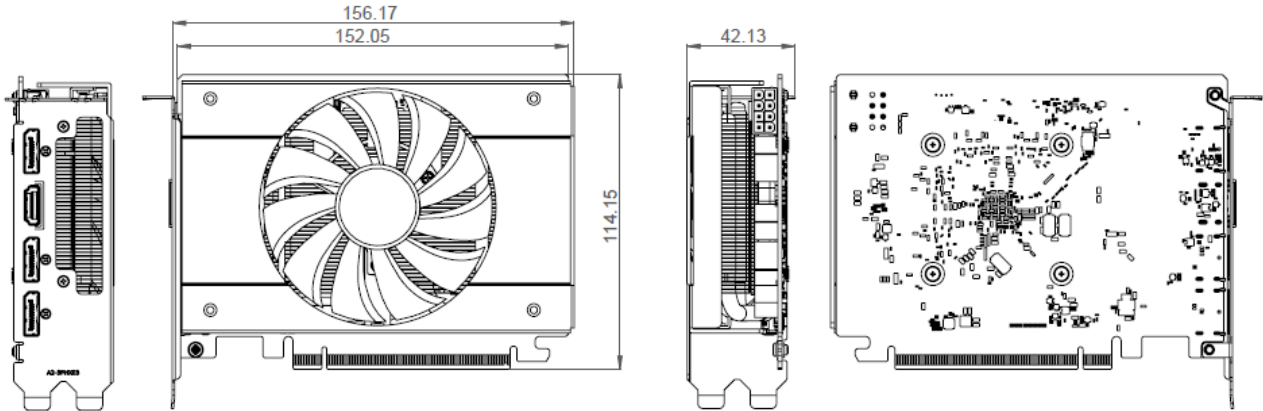
- Powered by NVIDIA RTX 4060 Ada Lovelace architecture
- 3072 CUDA cores, 24 RT cores and 96 Tensor cores, 8GB GDDR6 memory
- PCIe Gen 4 x16 interface via golden finger
- 15.11 TFLOPS peak FP32 performance

## Specifications

Model Number	N4060-VSFX-A1
GPU Engine Specs	NVIDIA GeForce RTX 4060 Architecture: NVIDIA Ada Lovelace CUDA Cores: 3072 Tensor Cores: 96 RT Cores: 24 Core Clock (MHz): 1830(Base) / 2460(Boost) Floating Point Performance: 15.11 TFLOPS
Memory Specs	Size: 8GB GDDR6 Clock: 17 Gbps Interface Width: 128-bit Bandwidth (GB/sec): 272
Feature Support	PCI Express 4.0 x8 DirectX: 12 Ultimate Open GL 4.6 Vulkan 1.2
Display	Resolution: 7680x4320 <sup>1</sup> Max: 4x Display Display connector: DisplayPort1.4a / HDMI 2.1 FRL
Power Consumption	Total Graphics Power (TGP): 115 W Min. System Power Requirement <sup>2</sup> : 550 W Supplementary Power Connectors): 8-PIN
Form Factor	ATX
Dimensions (WxD)	152.05 x 114.15 mm (5.98" x 4.49")
Net Weight	0.501 kg (1.1045 lb)
Temperature	Standard: Operating Temp. :0 to + 55°C (32°F ~131°F) / Storage Temperature: -40 to + 85°C (- 40°F ~ 185°F)
Humidity	10~90%, Non-condensing
OS Support	Windows 10/11 64-bit / Linux
Certification	CE/FCC/UKCA

1. Up to 4k 12-bit HDR at 240Hz with DP1.4a+DSC. Up to 8k 12-bit HDR at 60Hz with DP 1.4a+DSC or HDMI2.1+DSC. With dual DP1.4a+DSC, up to 8K HDR at 120Hz.  
2. Requirement is made based on PC configured with an Intel Core i9-10900K processor. A lower power rating may work depending on system configuration.

### System & Mounting Dimensions



### Ordering Information

Model name	Description
N4060-VSFX-A1	PCIe Gen4.0 x8, NVIDIA GeForce RTX 4060, 8GD6, 3x DP/HDMI, Full-Height, 2 Slot, Active Thermal, 115W, 0°C to +55°C

### Accessory (Optional)

Part No.	Description
TBD.	

