

M12-P107

Features

- Drive up to 12 displays in single card with single GPU
- Maximum 5760x4320 high resolution, support 1920x1080 per port
- Support H.265/HEVC video decoder, drive 4* 4Kp30 videos simultaneously
- Support hardware EDID caching optimize displaying quality and stability

Specifications

GPU Engine Specs

Floating Point Performance 1.98 TFLOPS

Memory Specs

Memory Size 4GB GDDR5

Memory Clock 7.0 Gbps

Memory Interface Width 128-bit

Memory Bandwidth (GB/sec) 112

Feature Support

Bus Type PCI Express 3.0 x16

OpenGL 4.5

DirectX 12 API

Operation System Windows 7 - 10

Display Support

Max. Displays per Board 12

Max. Digital Display Support Display 5760 x 4320 (3 x 4 mode)

Connectors 4x VHDCI

Thermal and Power Specs

Thermal 2-ball bearing FAN

Max. GPU Temperature (in C) 97 °C

Max. Board Power Consumption (W) 75 W

Min. System Power Requirement (W) 300 W

Dimensions

Form Factor ATX

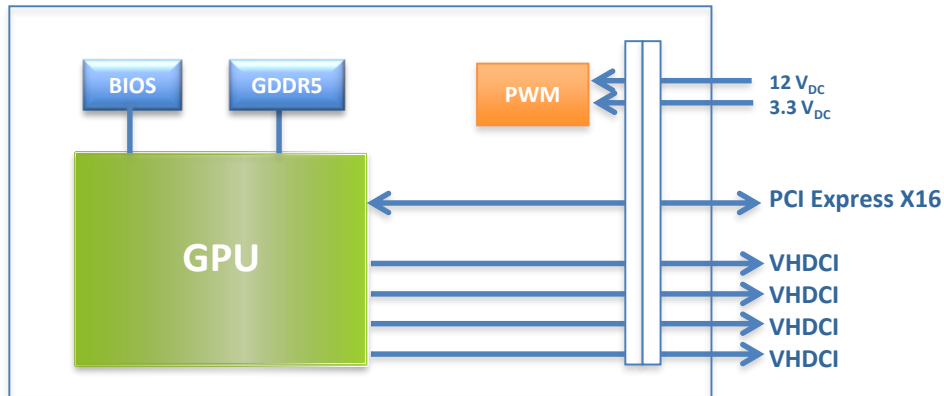
Length 203.64 mm

Height 111.15 mm

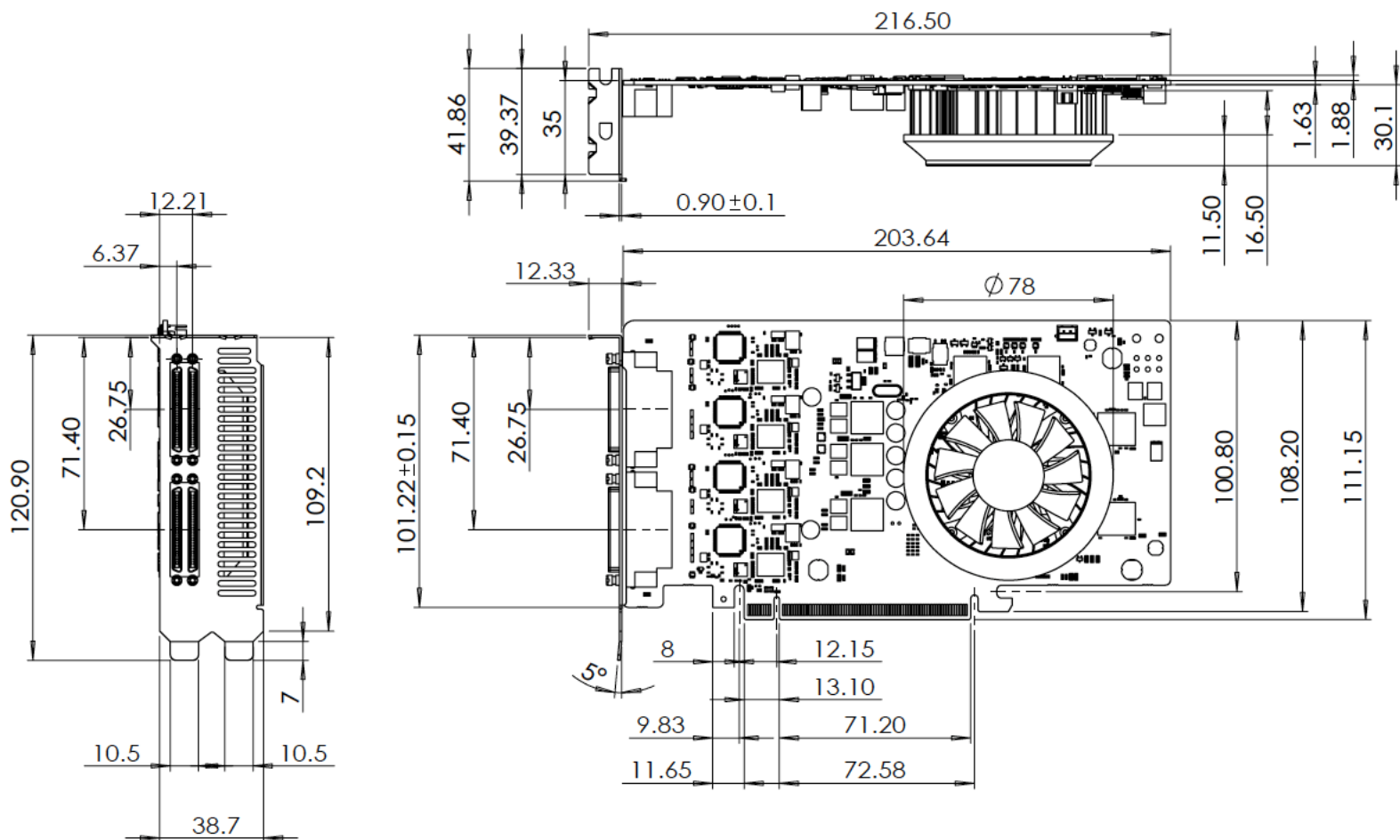
Width Two slot



Block Diagram



Mechanical



Ordering Information

Model Number	Description
M12-P107D	PCI-Express 16X, 4GB GDDR5, with VHDCI to DVI cable, 0°C to +55°C
M12-P107H	PCI-Express 16X, 4GB GDDR5, with VHDCI to HDMI cable, 0°C to +55°C