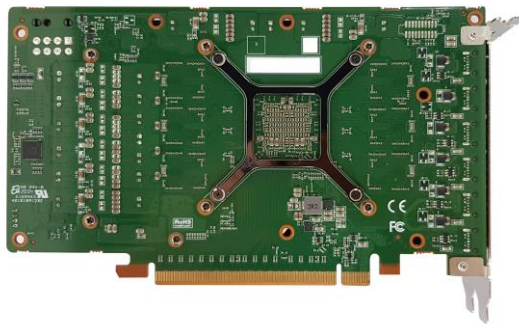


MGC-A56mDP6

Features

- Powered by AMD RDNA architecture, Radeon RX 5600 XT
- Drive up to 6 displays in single card with single GPU
- Highest quality 3840x2160 4K resolution per port supported
- Support VP9/H.265/H.264/VC-1/MPEG-4 Part2/MPEG-2 video decoder
- 2304 Stream processors accelerate powerful computing
- Support AMD Eyefinity¹ multi display technology, OpenCL 2.2 , DirectX® 12 , Vulkan 1.1 , OpenGL® 4.6 , AMD LiquidVR

Specifications



GPU Engine Specs

GPU	AMD Radeon™ RX 5600 XT
Stream processors	2304
Compute Units	36
Graphics Clock (Base/Boost)	1130 / 1560 MHz
Floating Point Performance	7.19 TFLOPS

Memory Specs

Memory Size	6GB GDDR6
Memory Clock	14 Gbps
Memory Interface Width	192-bit
Memory Bandwidth	336 GB/sec

Feature Support

Bus Type	PCI Express 4.0 x16
AMD FreeSync	Yes
AMD Eyefinity ¹	Yes
Microsoft Direct 12 API, Vulkan API, OpenGL 4.6	Yes
Designed for USB Type-C and VirtualLink	No
Operation System	Windows® 7 - 10 Linux

Display Support

Max. Displays per Board	6
Max. Digital Display Support	11520 x 2160 (3 x 2 mode)
Max. Analog Display Support	N/A
Display Connectors	6 x mini DisplayPort1.4a

Thermal and Power Specs

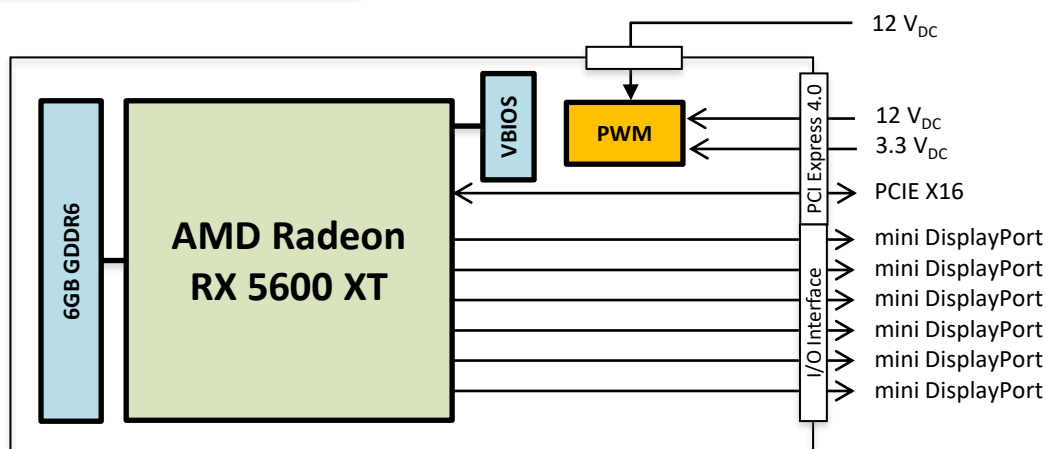
Thermal	Sleeve bearing Fan
Max. GPU Temperature	110 °C
Max. Board Power Consumption	125 W
Min. System Power Requirement	500 W
Supplementary Power Connectors	8-pin

Dimensions

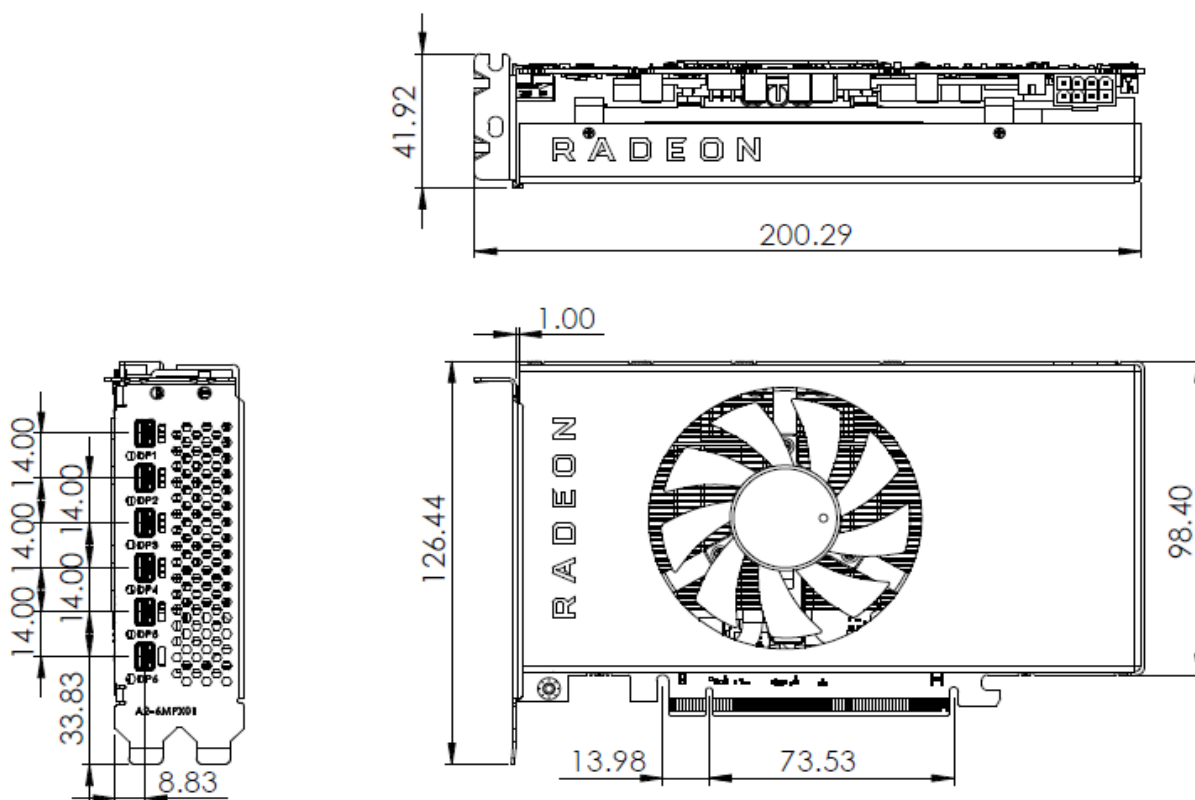
Form Factor	ATX
Length	187.96 mm
Height	111.15 mm
Width	Two slot

1. AMD Eyefinity mode under Windows OS. Not available on Linux.

Block Diagram



Mechanical



Ordering Information

Module Number	Description
MGC-A56mDP6	PCI-Express 16X, AMD Radeon™ RX 5600 XT, 6GB GDDR6, Mini DisplayPort, 0°C to +55°C Accessories: Latching mini DP to DP cable x6